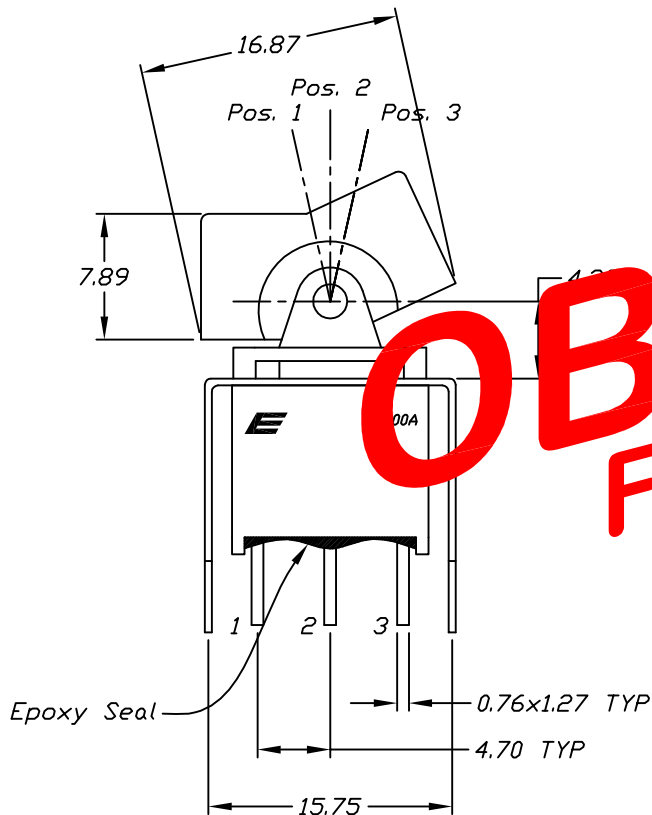
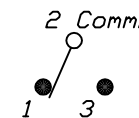
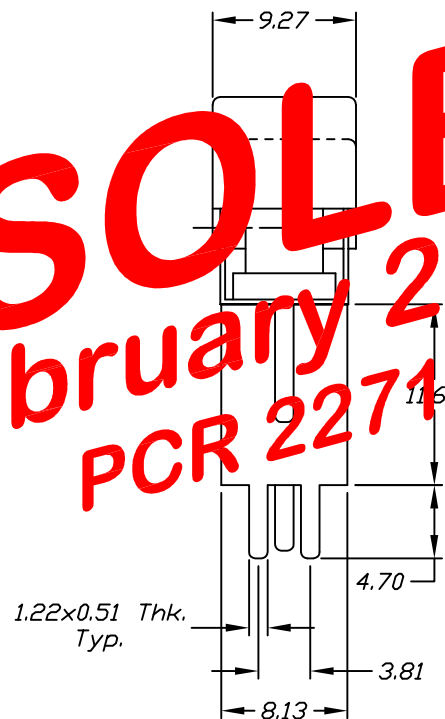


RECOMMEND P.C.B. LAYOUT



**OBSOLETE**  
 February 2017  
 PCR 22710



CIRCUIT: SPDT  
 CONTACT CONFIGURATION

SWITCH FUNCTION		
POS. 1	POS. 2	POS. 3
ON	NONE	ON
2-3	OPEN	2-1

NOTES:

1. ALL DIMENSIONS IN MM
2. GENERAL TOLERANCE: 0.0=±0.4  
0.00=±0.25
3. TERM. NOS. FOR REF. ONLY
4. RATING: 0.4VA Max. @20V Max. (AC or DC)

**E-SWITCH®**

D	10734	Change I/O Marking "G" Style	7/6/00	MM
C	10488	Pad Printing Change	1/7/00	MM
REV.	ECN No.	DESCRIPTION	DATE	CHKD

TITLE 300A WSP-1 J1 VS2 R E - I/O Marking "G"

THE INFORMATION CONTAINED IN THIS DOCUMENT IS PROPRIETARY TO E-SWITCH AND IS NOT TO BE COPIED OR TRANSFERRED

SCALE 2:1	DATE 8/7/98	DR MM	DWG T301021	REV D
-----------	-------------	-------	-------------	-------